



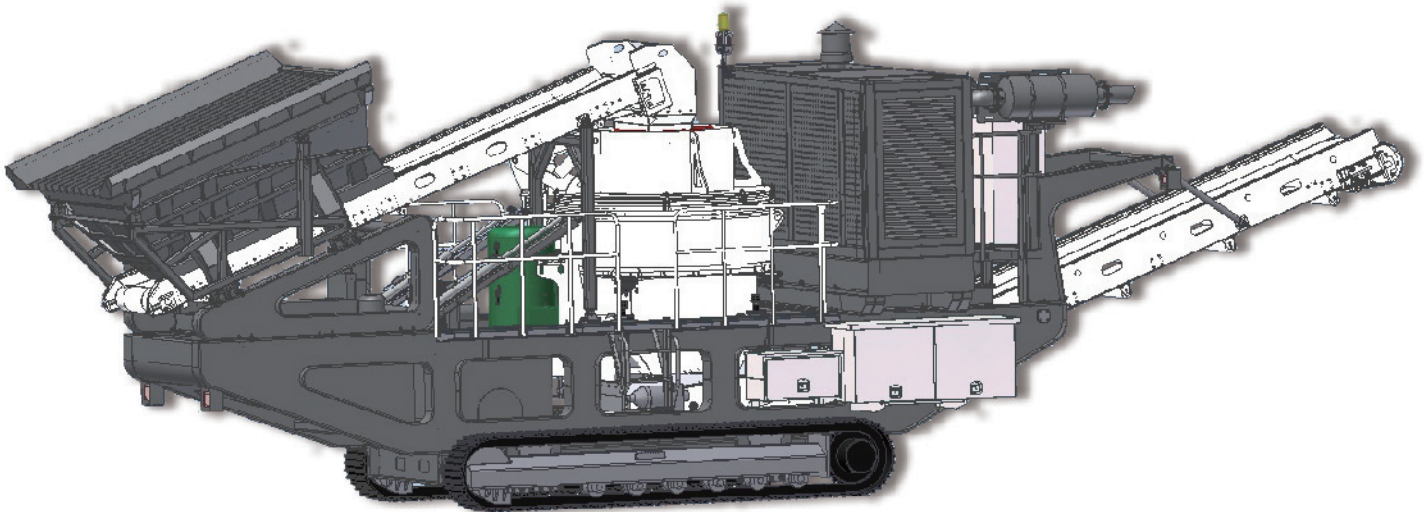
# SANME



山美

## MP-VSI 系列 履带移动立式冲击破碎站

*MP-VSI Series  
Mobile VSI Crushing Plants*



上海山美环保装备股份有限公司  
(原上海山美重型矿山机械有限公司)  
SHANGHAI SANME MINING MACHINERY CO., LTD.  
(中德合资控股)  
(Sino-German JV Holding)

上海山美环保装备股份有限公司（原上海山美重型矿山机械股份有限公司）是中德合资控股企业，是破碎筛分完整产业链发展的企业，先进的破碎筛分成套设备制造商，能够给客户id提供全系列破碎筛分设备和完整解决方案，产品包括颚式破碎机、圆锥式破碎机、反击式破碎机、旋回式破碎机、立轴冲击式破碎机（制砂机）、制砂楼、给料机、振动筛、细砂回收装置、水力浮选机、轻物质分离器、履带式移动站和轮胎式移动站等。我们的产品在绿色砂石骨料生产、建筑废弃物资源化利用、矿物加工等行业和领域得到广泛应用，并已出口到世界上五十多个国家和地区。我们的目标是为全球客户提供值得信赖的产品和服务，为客户创造价值。

Shanghai Sanme Mining Machinery Corp., Ltd. is a Sino-German Joint Venture holding company, a company developing in the complete chain in the crushing and screening industry, the well-known manufacturer of complete set of crushing and screening equipment. SANME could provide the complete sets of crushing and screening equipment and total solutions to customers. The products include jaw crusher, cone crusher, impact crusher, gyratory crusher, vertical impact crusher (sand maker), building-like dry sand-making system, fine sand collecting system, floating separating system, light materials separating system, mobile crushing and screening plant, and portable crushing and screening plant, etc. SANME products have been widely applied in green aggregates processing, construction waste recycling, and minerals processing, etc. Our products have been exported to over 50 countries and regions. Our aim is to provide reliable products and services for global customers and create values for our customers.

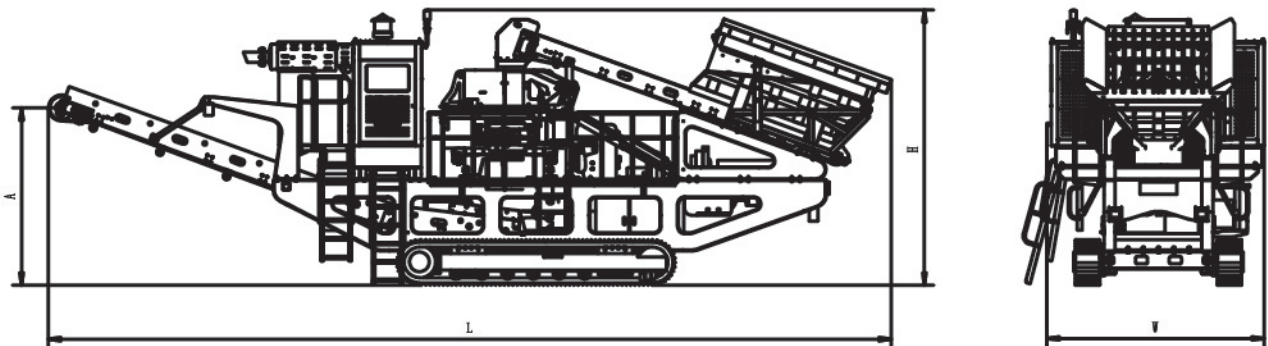
## 欧星 MP-VSI 系列履带移动立式冲击破碎站 MP-VSI Series Mobile VSI Crushing Plants

欧星 MP-VSI 系列履带移动立式冲击破碎站采用更专业的移动破碎技术设计和制造，能够满足客户的移动破碎要求，改变您的盈利模式。

Designed and manufactured with more professional mobile crushing technology, MP-VSI Series Mobile VSI Crushing Plants can meet the customers' requirement of high mobility, high crushing efficiency and optimizes your business mode.

## 欧星 MP-VSI 系列履带移动立式冲击破碎站可以应用于： MP-VSI Series Mobile VSI Crushing Plants are applicable for:

- ◆ 矿物和硬岩破碎
- ◆ Minerals and Hard Rock Crushing
- ◆ 制砂和整形
- ◆ Making Sand and Aggregates Shaping



## 技术参数 Technical Specifications

欧星 MP-VSI 系列履带移动立式冲击破碎站 MP-VSI Series Mobile VSI Crushing Plants	MP-VSI 5000	MP-VSI 6000	MP-VSI 7000
立式冲击破碎机型号 VSI Crusher Model	VSI 5000	VSI 6000	VSI 7000
最大进料粒度 Max feed size (mm)	65	70	70
处理量 Crushing capacity (t/h)	80-150	120-250	180-350
动力装置 Driving Unit			
发动机 Engine	Cummins or CAT	Cummins or CAT	Cummins or CAT
功率 Power (kw)	400	480	550
给料斗 Feed Hopper			
料斗容积 Hopper volume (m <sup>3</sup> )	4	6	6
带式给料机 Belt Feeder			
驱动方式 Drive	液压 hydraulic	液压 hydraulic	液压 hydraulic
主皮带机 Main Conveyor Belt			
卸料高度 Discharge height (mm)	2900	3300	3300
驱动方式 Drive	液压 hydraulic	液压 hydraulic	液压 hydraulic
履带行走装置 Crawler Unit			
驱动方式 Drive	液压 hydraulic	液压 hydraulic	液压 hydraulic
外形尺寸和重量 Dimensions and Weights			
工作状态外形尺寸 Working dimensions			
- 长度 Length (mm)	13767	13940	13940
- 宽度 Width (mm)	3621	3820	3920
- 高度 Height (mm)	4425	4980	4980
运输状态外形尺寸 Transport dimensions			
- 长度 Length (mm)	14273	14320	14320
- 宽度 Width (mm)	3543	3751	3851
- 高度 Height (mm)	4024	4130	4330
重量 Weight (t)	38	43	47

注：上述生产能力是在破碎物料堆比重为 1.6t/m<sup>3</sup> 时开路循环生产中总吨数。生产能力与破碎物料的物理性能、给料方式、进料粒度及其组成等工况有关。  
Note: Capacity is the total production tons of open circuit when the material bulk density to be crushed is 1.6t/m<sup>3</sup>. Production capacity will be affected by physics character of material and feeding method, feeding size and material composition, and so on.



上海山美环保装备股份有限公司  
(原上海山美重型矿山机械股份有限公司)  
SHANGHAI SANME MINING MACHINERY CORP., LTD.  
(中德合资控股)  
(Sino-German JV Holding)



山美股份官方微信

版权所有 翻印必究 中国印制 Printed in China  
SANME-06-4C | MP-VSI | 2018-08 | 5000

地址：上海市奉贤区青村镇奉村路 258 号  
邮编：201414  
电话：021-5759 1166 5759 1188  
传真：021-5756 6188 5820 0089  
网址：[www.shsmzj.com](http://www.shsmzj.com)  
电邮：[info@sanmecorp.com](mailto:info@sanmecorp.com)

Address: No.258, Fengcun Road, Qingcun County, Fengxian District,  
Shanghai 201414, China  
Tel: +86-21-5712 1166 5759 1188  
Fax: +86-21-5756 6188 5820 0089  
Website: [www.sanmecrusher.com](http://www.sanmecrusher.com)  
E-mail: [sales@sanmecorp.com](mailto:sales@sanmecorp.com)

免费热线：400-921-5566  
售后专线：021-5712 7766

Free Hotline: 400-921-5566  
Service Center: +86-21-5712 7766

- ◎ 我们的产品在不断的更新和改进中，我们保留在未事先告知用户的情况下，更改参数及设计的权力。  
*Our products are constantly updated and improved, we reserve the right to change parameters and design without advance notification of customers.*
- ◎ 照片中产品外观颜色与实际机型存在差异，颜色标准以实物为准。  
*If there are any discrepancy and difference between color of product appearance and actual machine type in the picture, color standard is subject to actual object.*
- ◎ 本手册中的配置不一定是出厂标准配置，购买时请详细咨询我们。  
*Specifications and design in the brochures are not always the standard. Please consult us particularly when purchasing.*