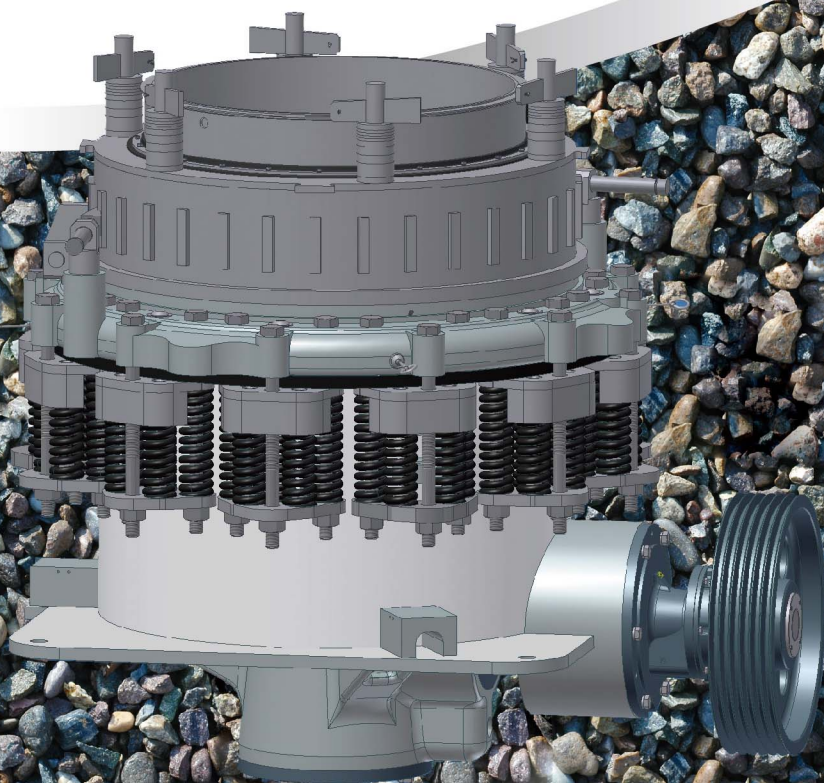


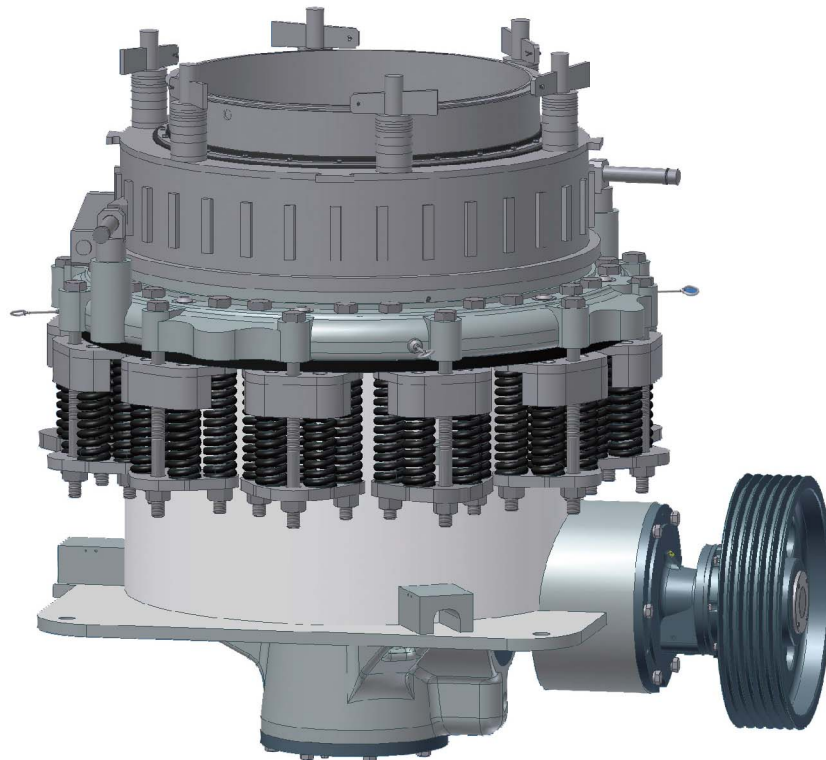
SANME

SDY系列圆锥破碎机 *SDY Series Cone Crusher*



上海山美重型矿山机械有限公司 (德国哈兹马克合资公司)
SHANGHAI SANME MINING MACHINERY CO., LTD. (JV WITH HAZEMAG GERMANY)

SDY系列圆锥破碎机 *SDY Series Cone Crusher*



SDY系列圆锥破碎机是经过吸收美国先进破碎技术研制出的具有国内领先水平的圆锥破碎机，广泛应用于冶金、建筑、水电、交通、化工、建材工业中，适合破碎坚硬、中等硬度以上的各种矿石和岩石。

SDY Series Cone Crusher owns advanced technology. It is widely used in metallurgical industry, hydro-dam construction, transportation, chemical industry and building materials, is suitable for crushing all sorts of rocks which is hard and medium hard.

特点及优势:

- ◎结构合理，破碎原理及技术参数先进，运转可靠，运行成本低;
- ◎具有大破碎力，生产效率高，产量高;
- ◎弹簧保险系统可靠，能提供安全有效的过载保护;
- ◎两种破碎腔结构，适应大范围产品粒度要求;
- ◎手动液压调整排料口，轻松省力。

Features and Benefits:

- ◎Reasonable structure, advanced crushing principle and technical data, reliable in operation, low cost in operation.
- ◎Powerful in crushing, high efficiency, high production.
- ◎Reliable spring insurance system, can provide safe and efficient protection of overload.
- ◎Two kinds of crushing chamber structure, suitable for wide range of product size requirement.
- ◎The manual hydraulic control discharge opening, operate easily and save effort.

SDY系列圆锥破碎机 SDY Series Cone Crusher

技术参数 Technical Data

型号 Model	腔型 Type of Cavity	最小排矿口 Min Discharge Setting(mm)	最大给料尺寸 Max Feeding Size(mm)	电机功率 Motor Power(kw)	开路循环 闭边排矿口及对应的生产能力 (吨/小时) Open circuit,Closed side(mm),Capacity(t/h)												
					10mm	13mm	16mm	19mm	25mm	31mm	38mm	52mm	64mm	76mm	89mm	102mm	
SDY900B	细型 Fine	9	87	75	46	59	73	82									
	粗型 Coarse	13	150	75		59	73	91	118	137	164						
	特粗型 Ertra coarse	25	155	75					128	147	175	198					
SDY1300B	细型 Fine	13	120	200		109	127	146	163	181							
	中型 Medium	16	180	200			132	159	200	228	253	309					
	粗型 Coarse	19	205	200				173	218	250	295	378					
	特粗型 Ertra coarse	25	220	200					237	273	324	398	455				
SDY1700B	细型 Fine	16	180	250			182	205	259	296	327						
	中型 Medium	22	205	250					291	337	381	438					
	粗型 Coarse	25	230	250					354	417	454	610	637				
	特粗型 Ertra coarse	38	315	250							538	630	743				
SDY2100B	细型 Fine	19	235	400				381	499	617	726	852	1036				
	中型 Medium	25	280	400					608	726	807	998	1128	1296			
	粗型 Coarse	31	310	400						789	844	1088	1257	1386	1405		
	特粗型 Ertra coarse	38	460	400							880	1179	1361	1473	1531	1643	

型号 Model	腔型 Type of Cavity	最小排矿口 Min Discharge Setting(mm)	最大给料尺寸 Max Feeding Size(mm)	电机功率 Motor Power(kw)	开路循环 闭边排矿口及对应的生产能力 (吨/小时) Open circuit,Closed side(mm),Capacity(t/h)												
					3mm	5mm	6mm	10mm	13mm	16mm	19mm	25mm	31mm	38mm	52mm	64mm	
SDY900D	细型 Fine	3	35	75	27	41	55	68	91								
	粗型 Coarse	3	51	75	27	41	55	68	91	100							
	特粗型 Ertra coarse	6	65	75			59	73	95	114	127						
SDY1300D	细型 Fine	3	55	200	36	59	82	105	137	164							
	中型 Medium	6	76	200			82	105	137	164							
	粗型 Coarse	8	90	200				109	159	182	200	228					
	特粗型 Ertra coarse	16	115	200							209	237					
SDY1700D	细型 Fine	5	60	250		91	137	164	209								
	中型 Medium	6	76	250			137	164	209	255	282						
	粗型 Coarse	10	115	250				191	255	282	309	337					
	特粗型 Ertra coarse	13	115	250					255	282	309	337					
SDY2100D	细型 Fine	5	90	400		190	270	345	360	408	475	512					
	中型 Medium	10	110	400				354	408	454	508	560	613				
	粗型 Coarse	13	150	400					454	480	540	599	685				
	特粗型 Ertra coarse	16	170	400						508	590	653	693	720			

注: 上述生产能力是在破碎物料密度为 $1.6 \times 10^3 \text{kg/m}^3$ 时开路循环生产中总吨数。生产能力与破碎物料的物理性能、给料方式、进料粒度及其组成等工况有关;

Note: The capacity is total tons per hour passing through crusher at open circuit when crushing mid-hard material and loose density with $1.6 \times 10^3 \text{kg/m}^3$. Capacities are relative to physical character and type of feeding, feeding size and composition and so on.



上海山美重型矿山机械有限公司 (德国哈兹马克合资公司)
SHANGHAI SANME MINING MACHINERY CO., LTD. (JV WITH HAZEMAG GERMANY)



地址：上海市奉贤区青村镇奉村路 258 号
电话：021-5756 6166 021-5820 2968
传真：021-5756 6188 021-5820 0089
邮编：201414
网址：www.shsmzj.com
电邮：info@sanmecrusher.com

Add: No.258, Fengcun Road, Qingcun County,
Fengxian District, Shanghai 201414, China
Tel: +86 21 5756 6166 +86 21 5820 2968
Fax: +86 21 5756 6188 +86 21 5820 0089
Website: www.sanmecrusher.com
E-mail: sales@sanmecrusher.com

◎我们的产品不断的更新和改进中，我们保留在未事先告知用户的情况下，更改参数及设计的权利。

Our products are constantly updated and improved, we reserve the right to change parameters and design without advance notification of customers.

◎照片中产品外观颜色与实际机型存在差异，颜色标准以实物为准。

If there are any discrepancy and difference between color of product appearance and actual machine type in the picture, color standard is subject to actual object.

◎本手册中的配置不一定是出厂标准配置，购买时请详细咨询经销商。

Specifications and design in the brochures are not always the standard. Please consult our dealers or distributors particularly when purchasing.