



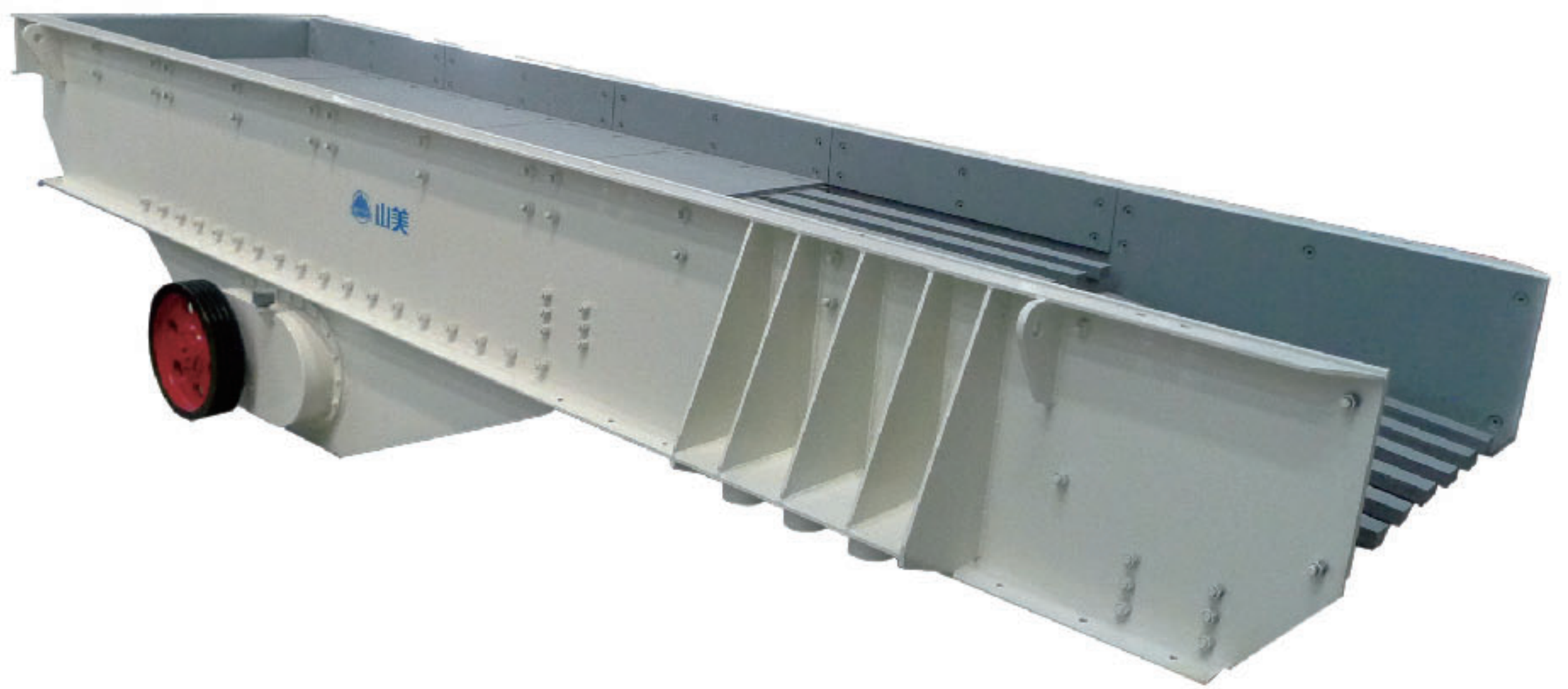
SANME



山美

ZSW 系列 振动给料机

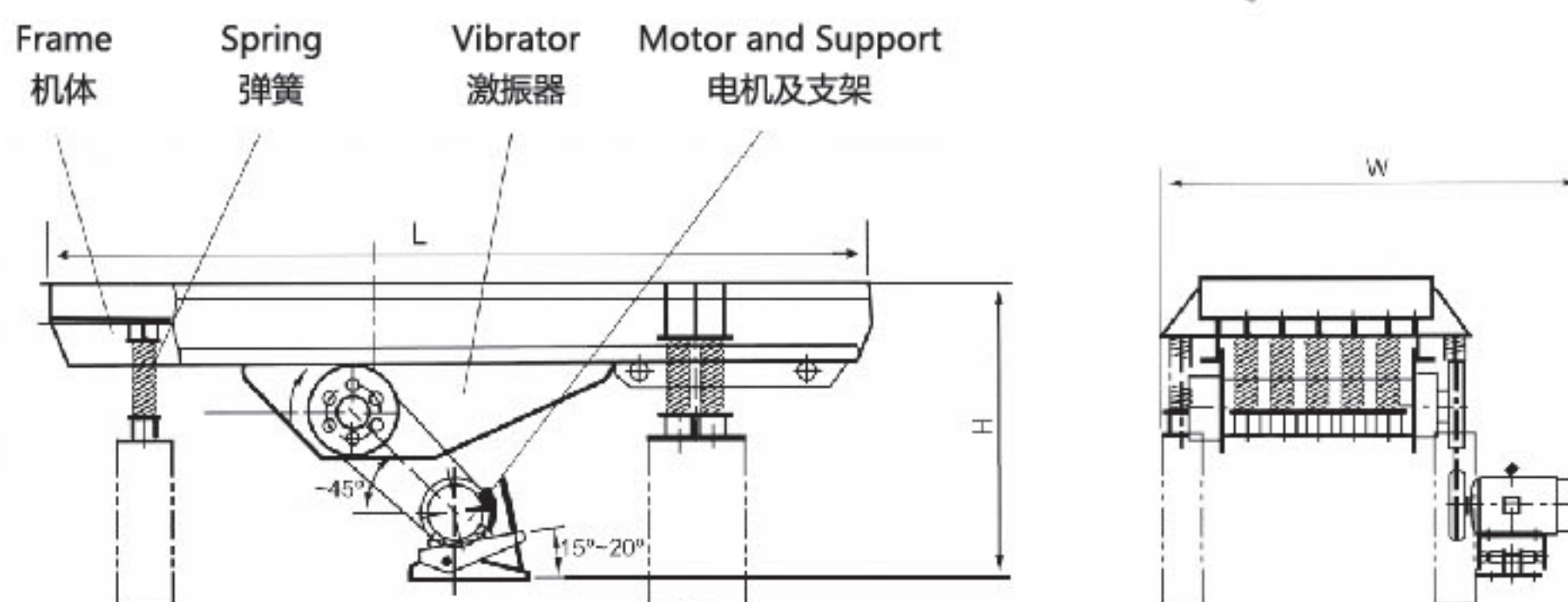
ZSW Series Vibrating Feeder



上海山美环保装备股份有限公司
SHANGHAI SANME MINING MACHINERY CORP., LTD.
(中德合资控股)
(Sino-German JV Holding)

ZSW系列振动给料机

ZSW Series Vibrating Feeder



ZSW系列振动给料机主要用于粗破碎机前连续、均匀给料、同时可筛分细料、使破碎机能力增大。

ZSW Series Vibrating Grizzly Feeder is mainly used to feed material into the primary crusher homogeneously and continuously. Meanwhile, it can screen the fine material and make the crusher more powerful.

特点及优势

- 振动平稳。
- 特殊栅条设计，可防止物料堵塞。
- 栅条间隙可调。
- 可选装变频调速电机，便于控制给料量，无需频繁启动电机。

Features and Benefits

- Smooth vibrating.
- The special fence can prevent the block of raw material.
- The distance between fences is adjustable.
- Frequency conversion motor can be equipped to facilitate feeding control, and frequent startup of motor is avoided.

技术参数 Technical Data

型号 Model	最大进料粒度 Max Feed Size(mm)	处理能力 Capacity(t/h)	电机功率 Motor Power(kw)	外型尺寸 Overall Dimensions(L×W×H)(mm)	重量 Weight(kg)	料槽尺寸 Size of Funnel(mm)
ZSW-280×85	450	100-160	7.5	2880×2050×2150	3650	2800×850
ZSW-380×95	500	160-230	11	3880×2175×1957	4647	3800×950
ZSW-490×110	580	200-300	15	4957×2371×2125	5618	4900×1100
ZSW-590×110	600	200-300	22	5957×2467×2151	6465	5900×1100
ZSW-490×130	750	400-560	22	4980×3277×1525	7280	4900×1300
ZSW-600×130	750	400-560	22	6080×3277×1525	8350	6000×1300
ZSW-600×150	1000	500-900	30	6080×3541×1545	9595	6000×1500
ZSW-600×180	1200	700-1200	37	6080×3852×1770	12925	6000×1800
ZSW-600×200	1400	900-1800	45	6080×4094×1810	15094	6000×2000
ZSW-600×240	1400	1500-2000	75	6078×4511×2289	17310	6000×2400



上海山美环保装备股份有限公司
SHANGHAI SANME MINING MACHINERY CORP., LTD.
(中德合资控股)
(Sino-German JV Holding)



山美股份官方微信

版权所有 翻印必究 中国印制 Printed in China
SANME-11C | ZSW | 2020-09 | 5000

地址：上海市奉贤区青村镇奉村路 258 号
邮编：201414
电话：021-5759 1166 5759 1188
传真：021-5756 6188 5820 0089
网址：www.shsmzj.com
电邮：info@sanmecorp.com

Add: No.258, Fengcun Road, Qingcun County, Fengxian District,
Shanghai 201414, China
Tel: +86-21-5712 1166 5759 1188
Fax: +86-21-5756 6188 5820 0089
Website: www.sanmecrusher.com
E-mail: sales@sanmecorp.com

免费热线：400-921-5566
售后专线：021-5712 7766

Free Hotline: 400-921-5566
Service Center: +86-21-5712 7766

- 我们的产品在不断的更新和改进中，我们保留在未事先告知用户的情况下，更改参数及设计的权力。
Our products are constantly updated and improved, we reserve the right to change parameters and design without advance notification of customers.
- 照片中产品外观颜色与实际机型存在差异，颜色标准以实物为准。
If there are any discrepancy and difference between color of product appearance and actual machine type in the picture, color standard is subject to actual object.
- 本手册中的配置不一定是出厂标准配置，购买时请详细咨询我们。
Specifications and design in the brochures are not always the standard. Please consult us particularly when purchasing.